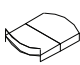





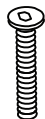
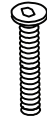

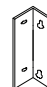




# Quinn Queen Bed

Thank you for purchasing Quinn Queen Bed. Please follow the manufacturer's assembly instructions in detail.

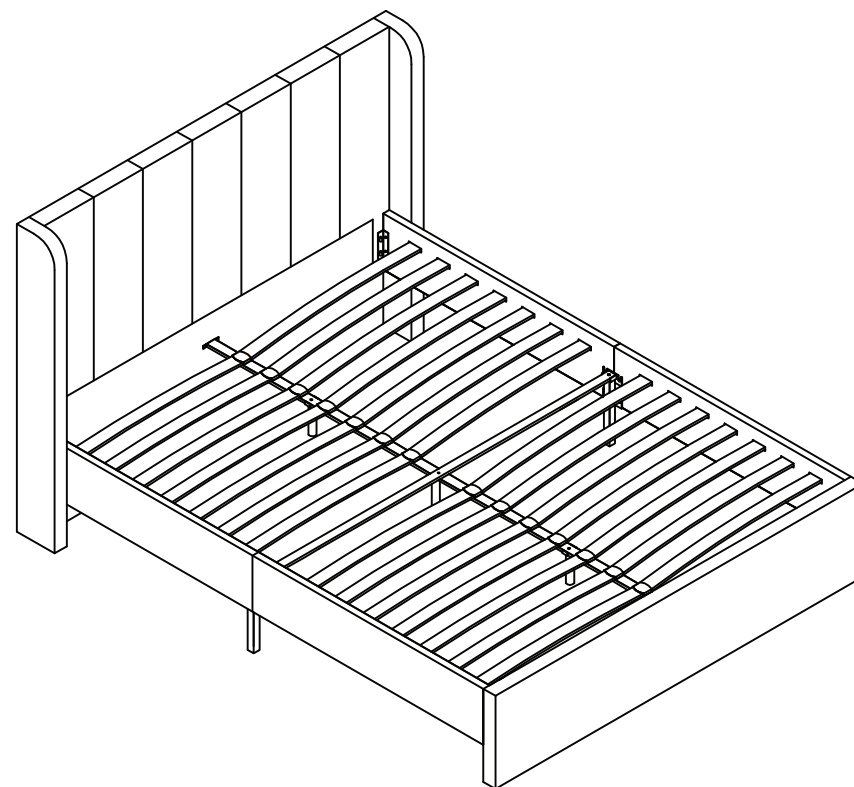
<b>A</b>  double cap x14	<b>B</b>  25mm bolt x8	<b>C</b>  spring washer x8	<b>D</b>  washer x12	<b>E</b>  25mm bolt x4
<b>F</b>  20mm bolt x 20	<b>J</b>  40mm bolt x 4	<b>H</b>  35mm bolt x1	<b>L</b>  left plate x2	<b>R</b>  right plate x2
<b>T-1</b>  small allen key x1	<b>T-2</b>  large allen key x1	<b>HARDWARE SUPPLIED</b>		



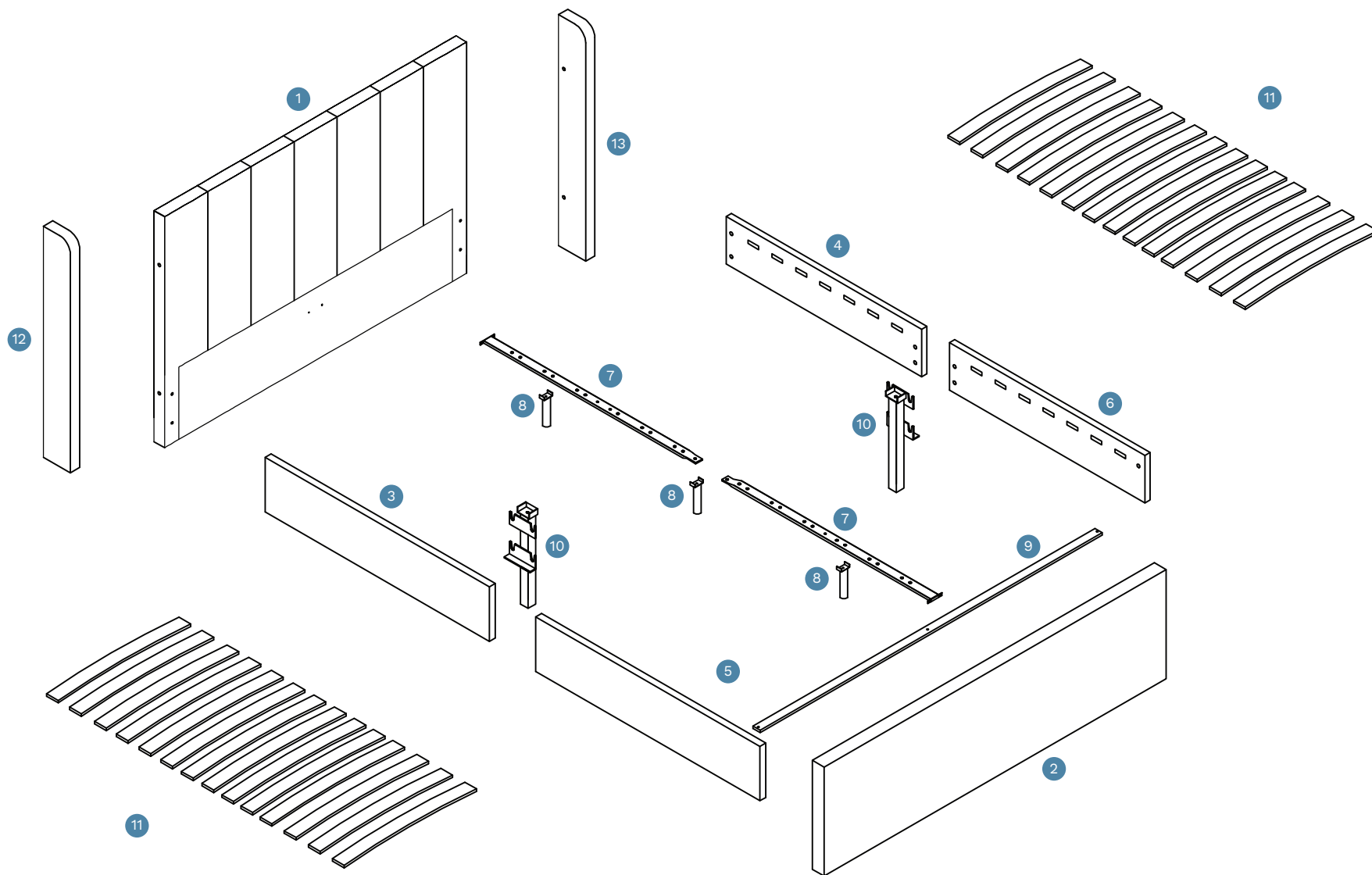
Phillips & Flathead screwdrivers required.

For quicker assembly, we recommend the use of a power drill on a low-speed setting.

**\* IMPORTANT NOTICE \***  
When moving the bed, please lift off the ground with two people, DO NOT drag, push or pull the bed across the floor, as this can result in damage to the supporting leg.

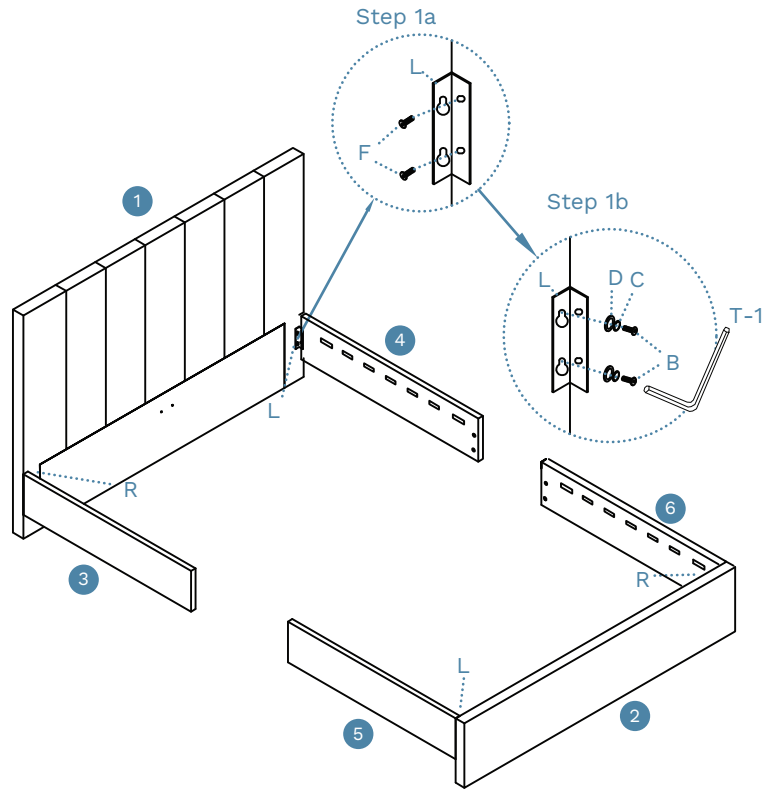


# Quinn Queen Bed



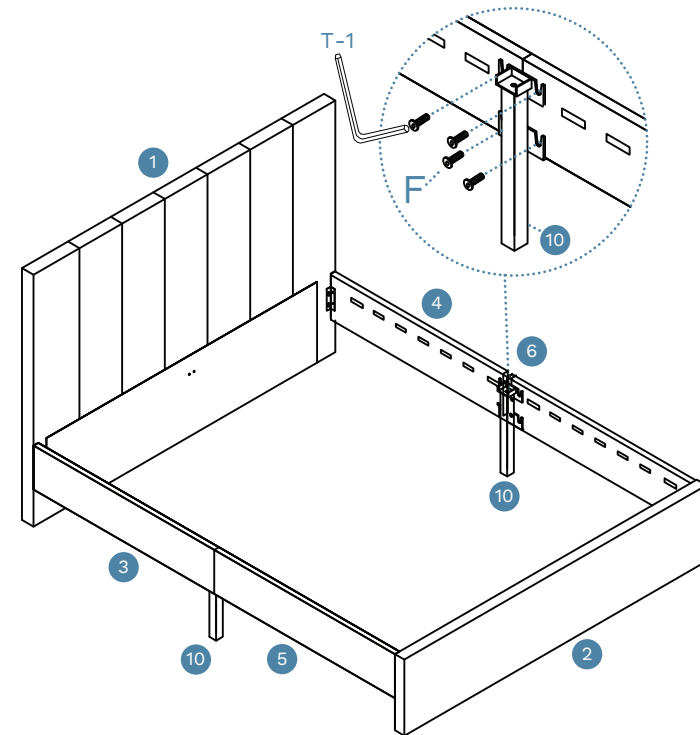
# Quinn Queen Bed

1



Attach 2 x left plates (L) and 2 x right plates (R) to panels [3], [4], [6] and [5] as shown in Step 1a and Step 1b and secure with 8 x bolts (F), 8 x bolts (B), 8 x spring washers (C) and 8 x washers (D). Tighten with an Allen Key (T-1).

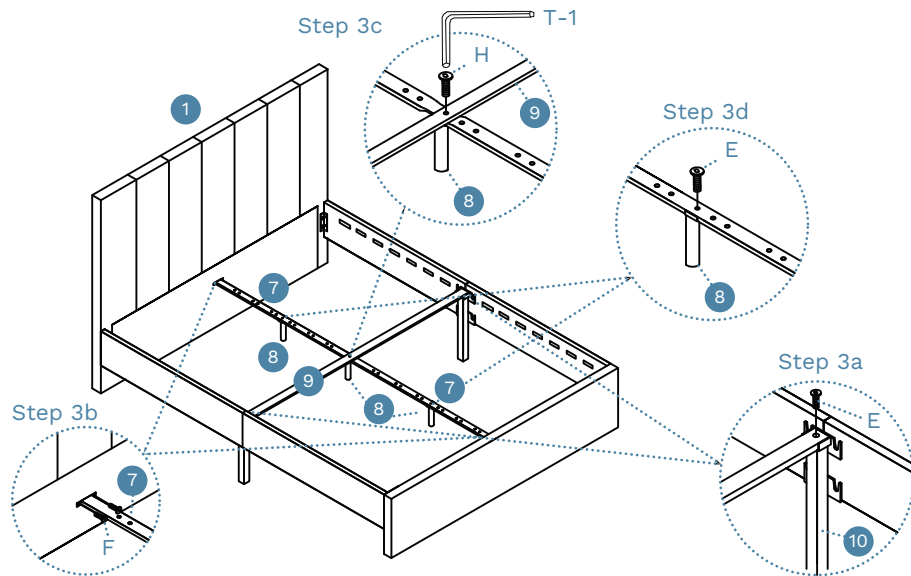
2



Attach 2 x panels (10) to assembled frame as shown and secure with 8 x bolts (F). Tighten with an Allen Key (T-1).

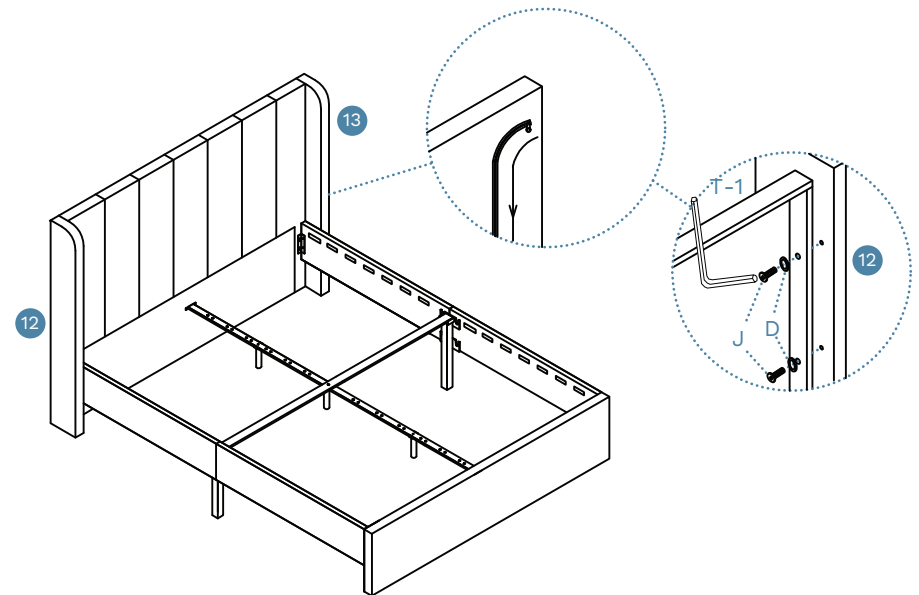
# Quinn Queen Bed

## 3



Step 3a: Attach Panel (9) to assembled frame as shown and secure with 2 x bolts (E).  
 Step 3b: Attach Panel (7) to assembled frame as shown and secure with 2 x bolts (F).  
 Steps 3c and 3d: Attach Panel (8) to assembled frame as shown and secure with 1 x bolt (H). Tighten with an Allen Key (T-1).

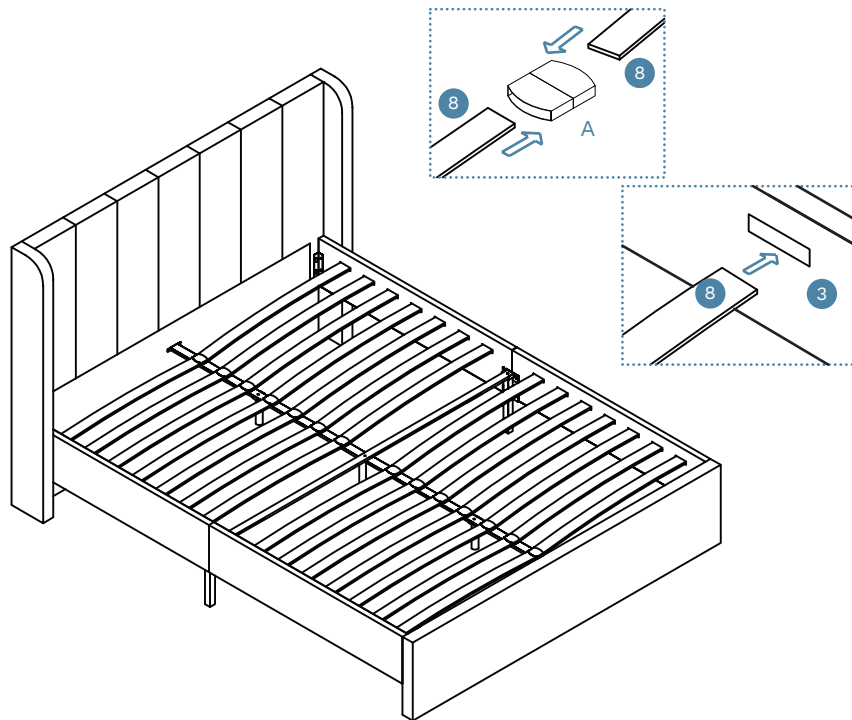
## 4



Attach panels (12) and (13) to assembled frame as shown and secure with 4 x bolts (J) and 4 x washers (D). Tighten with an Allen Key (T-1).

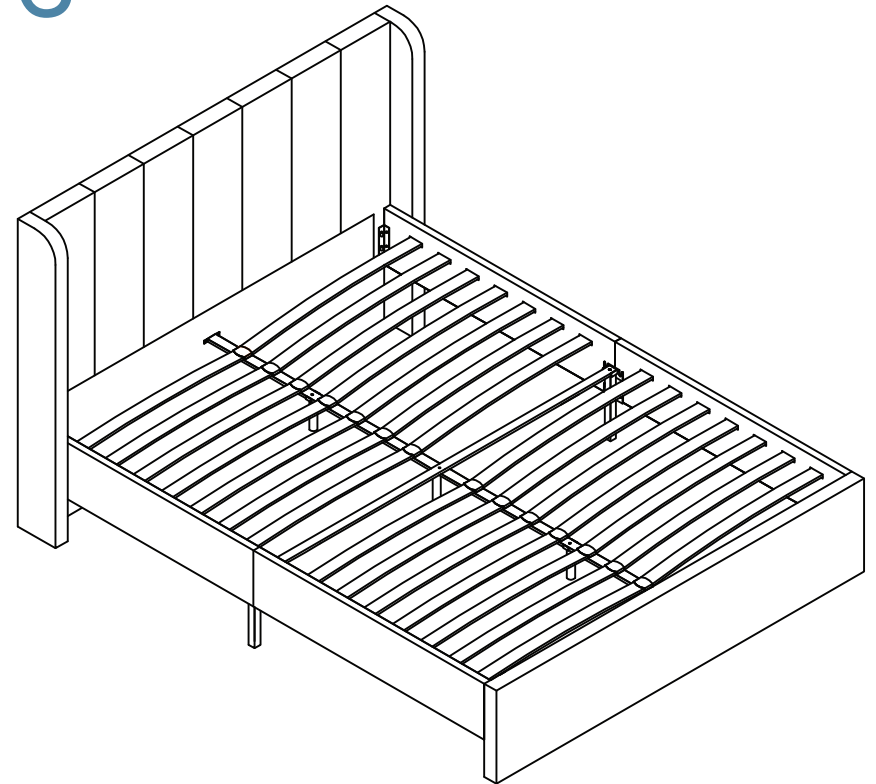
# Quinn Queen Bed

## 5



Join the bed planks together in the middle of the frame using 14x double caps (A). Insert the end of the planks into the bed frame as shown and attach the double caps (A) into panel [4]. Make sure the double caps (A) click securely into place.

## 6



Once assembled lift furniture into place, do not drag. Ensure unit is balanced and steady before use. You're done, enjoy!